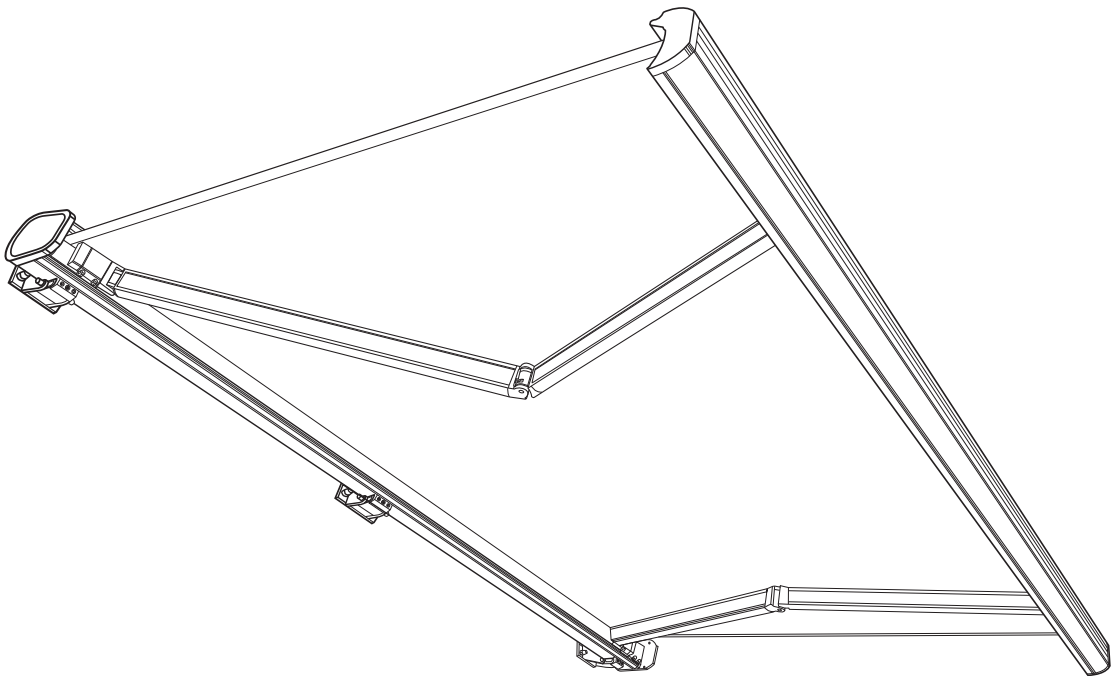


HARBOUR

LIFESTYLE

Instruction Manual for Electric Motorised Awning | 4x3m | 3x2m



www.harbourlifestyle.co.uk

If you have any questions or require additional support, please contact the team at customerservices@harbourlifestyle.co.uk. Alternatively you can contact us via telephone on 0330 808 1744.

Content




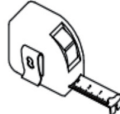



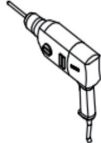
Tools and assistance.....	3
Parts list.....	4
Product description and safety instructions.....	5
Mounting and usage.....	7
Measuring distance.....	7
Determine the wall installation location.....	8
Punch holes in the marks with a hammer drill.....	9
Hang the awning.....	11
Install the rear cover clamp.....	11
Adjust the level and tilt.....	12

Tools and assistance

For safety please follow the assembly instructions. Before starting the assembly, ensure you have familiarised yourself with the instructions. Ensure you have all the parts listed, as well as the additional tools required.

If you find that there are parts missing or damaged, please do not install the awning and contact the Customer Service team immediately. Do not start the assembly process if any of the parts are missing or defective.

Additional tools


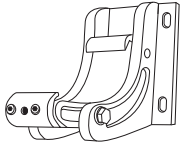
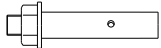

<p>a LADDER</p>  <p>>1.5M ×2 13MM</p>	<p>b M10/13 OPEN WRENCH (SUPPLIED)</p>  <p>16MM</p>	<p>c RUBBER MALLET</p> 	<p>d TAPE MEASURE</p> 
<p>e 5MM HEXAGON ALAN KEY (SUPPLIED)</p> 	<p>f PENCIL</p> 	<p>g SPIRIT LEVEL</p> 	<p>h ELECTRIC DRILL</p> 

Recommended: At least 4 people


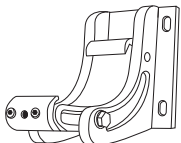


We recommend assembling the awning with at least four people, ensuring they are qualified tradespeople, or experienced in DIY.

Parts List

SIZE: 3x2m

(A) Awning Unit		
		× 1
(B) Bracket	(C) Bolt	(D) Remote Control
 × 2	 × 8	 × 1



SIZE: 4x3m

(A) Awning Unit		
		× 1
(B) Bracket	(C) Bolt	(D) Remote Control
 × 3	 × 12	 × 1

Product Description and Safety Instructions





Make the most of your outdoor living area with your awning. Relax and enjoy the outdoors while being protected from sun. The coated aluminum frame awning is perfect for shading your garden, deck, courtyard or patio.

Symbol explanation:





-  This warning triangle calls attention to hazards that can lead to death or to severe injuries due to misuse or incorrect installation of the awning
-  This sign identifies important notes

Safety Instructions:

Warning: For the safety of you and others, it is important to follow the below instructions and obey any warnings.

-  **To install this awning technical knowledge is necessary.** If you're not competent in DIY, do not mount this awning yourself but contact a professional tradesperson to help if:
 - ◆ you are unsure if the awning can be mounted on the place you chose for installation
 - ◆ you do not understand the instruction manual or parts of it
 - ◆ you do not have necessary tools available
 - ◆ you do not have necessary technical knowledge
-  A minimum of four healthy adults are required to move and install the awning as the product is big and heavy. Do not try to install the awning alone. If the awning falls, it could cause serious injuries and damages. Contact a professional tradesperson for help.
-  **Do not install the awning if you find the spare parts damaged or missing.** Contact us directly.
-  **Keep children and pets out of the working area during assembly and adjustments.**

Product Description Safety Instructions

-  This product and its fixing parts are only suitable for installation on a plain cement wall or stable brickwork. If the wall/ brickwork shows cracks you have to consult a professional.
-  Do not make any changes to the products' design and structure as this may affect the structural integrity of the awning and void your warranty.
-  Please make sure that your hands are clean at the time of the assembly; otherwise you may mark or stain the frame.
-  Do not climb or swing onto the awning. Do not hang anything from the awning.

Sheeting was used to protect the paint. This must be removed afterwards. This structure is a non-permanent structure and the warranty does not cover damage under extreme weather conditions including heavy rain, high winds or if exposed to high heat from heaters or BBQs.

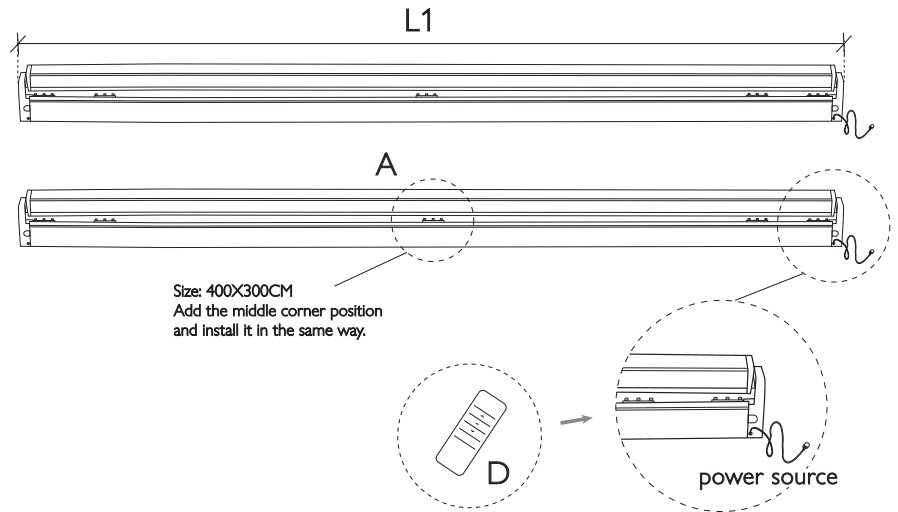
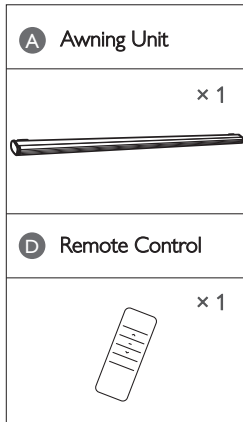
Safety precautions should always be followed when assembling and using this product to reduce the risk of personal injury and damage to equipment. Please read all instructions before assembly and use. Never leave children unattended around/ under this awning. Do not attempt to assemble or use the awning in moderate or heavy wind conditions. Always keep the awning closed and secure it during heavy winds or extreme weather conditions to avoid damage to the awning or personal injury.

Mounting and usage

Step 1-A :

Open the package carefully to avoid scratching;

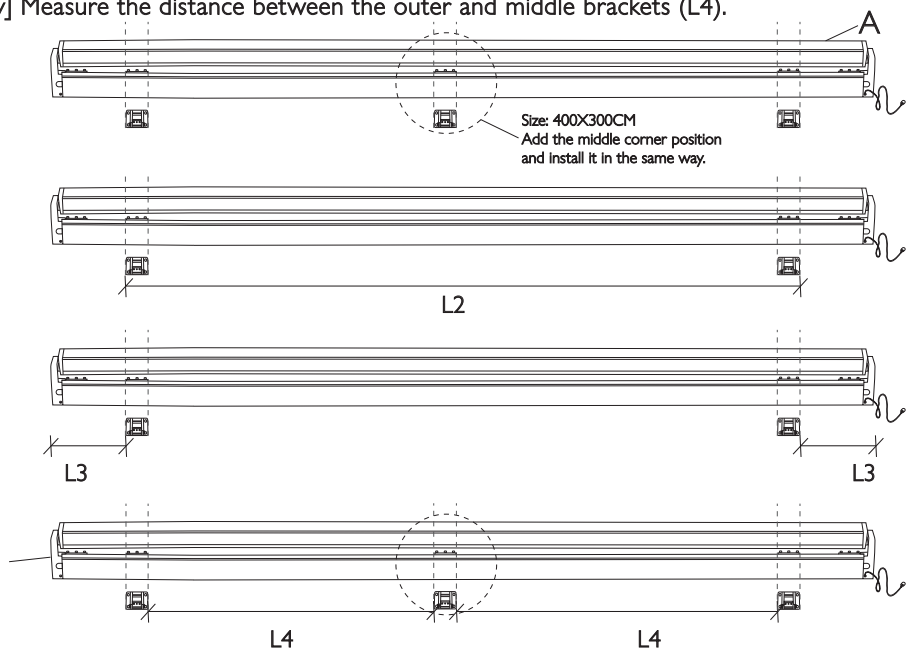
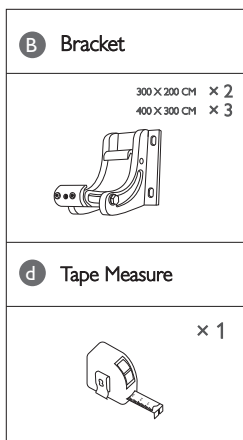
1. Measure the total length of the awning (L1)
2. Plug in the awning, power up, and open the canopy ever so slightly
3. View the positions of the bend arms at both ends



Step 1-B :

Measure where the awning will be mounted:

1. Align the brackets with the awning;
2. Measure the distance between the brackets on the wall (L2)
3. Measure the distance from the bracket to the outer edge of the awning (L3). You will need to measure both sides.
4. [400x300 model only] Measure the distance between the outer and middle brackets (L4).

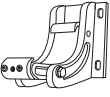
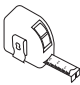


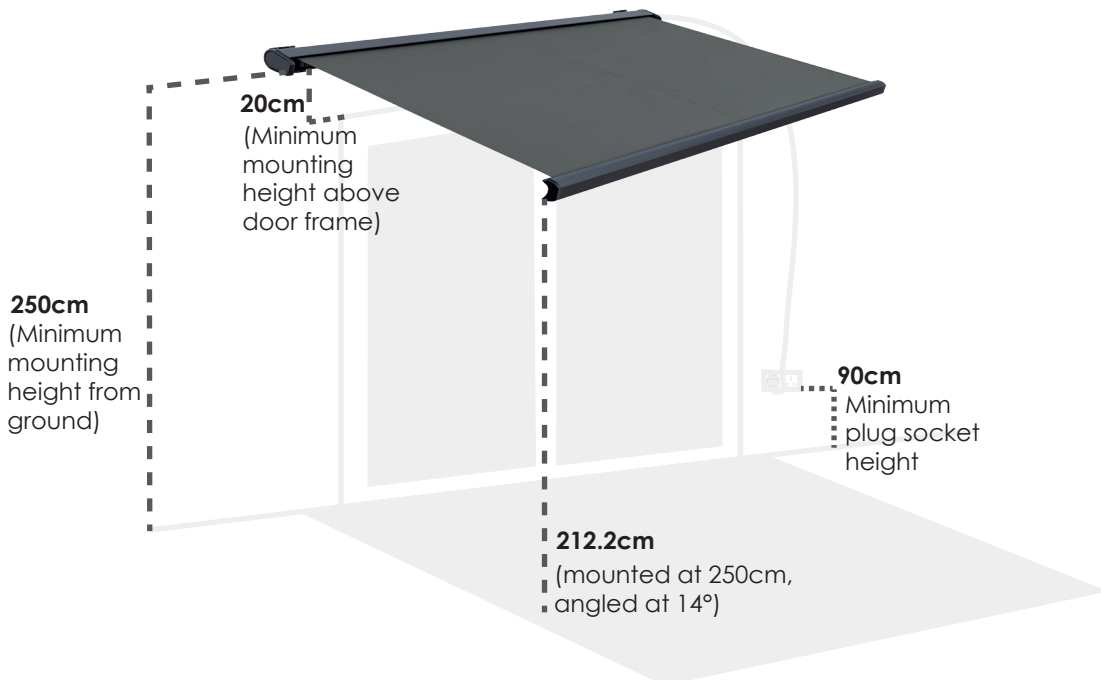
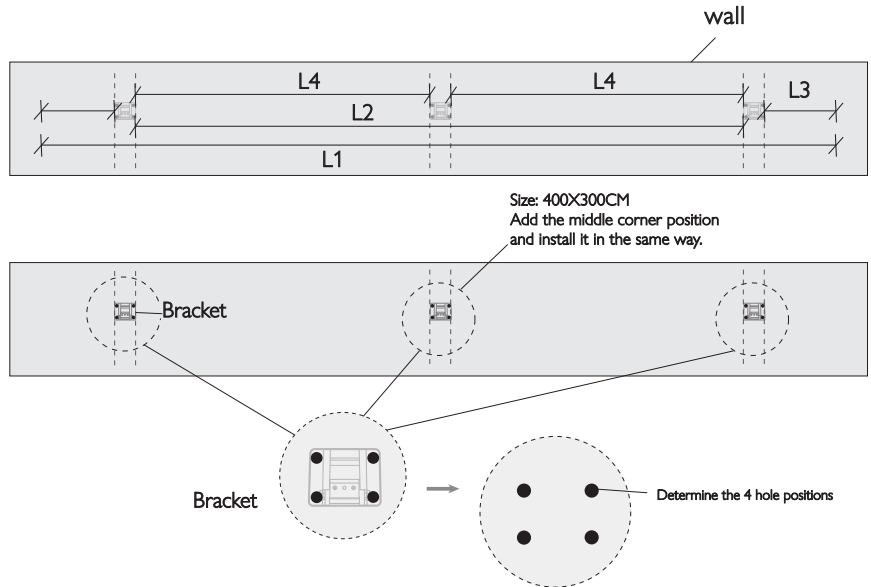
Mounting and usage

Step 2-A :

Determine the installation position on the wall;

1. Use the measured lengths from step 1-A and 1-B (L1, L2, L3 and L4) on the wall you're mounting on to.
2. Ensure there is at least 20cm minimum clearance from any door frame. Please also ensure a minimum clearance from the ground of 250cm.
2. Use a spirit level to ensure the brackets are level.
3. Mark the screw holes on the wall.

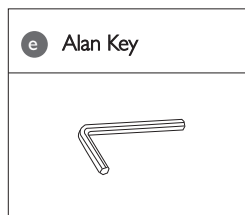
B Bracket
300 X 200 CM × 2 400 X 300 CM × 3 
d Tape Measure
 × 1



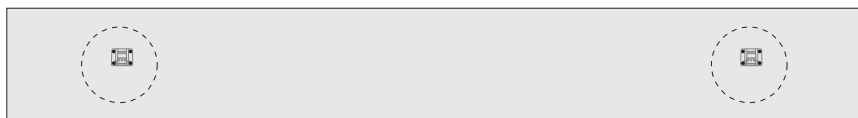
Mounting and usage

Step 2-D :

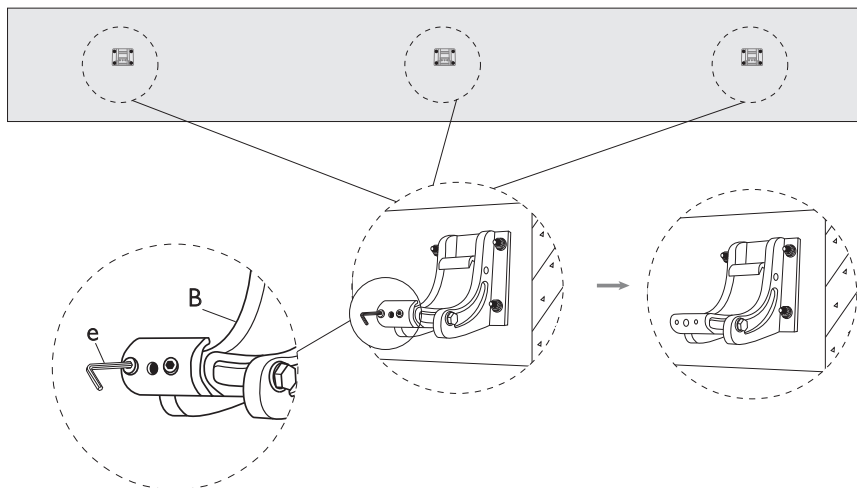
Remove the cover clip on the bracket, using the Alan key (e)



Size: 300X200CM



Size: 400X300CM

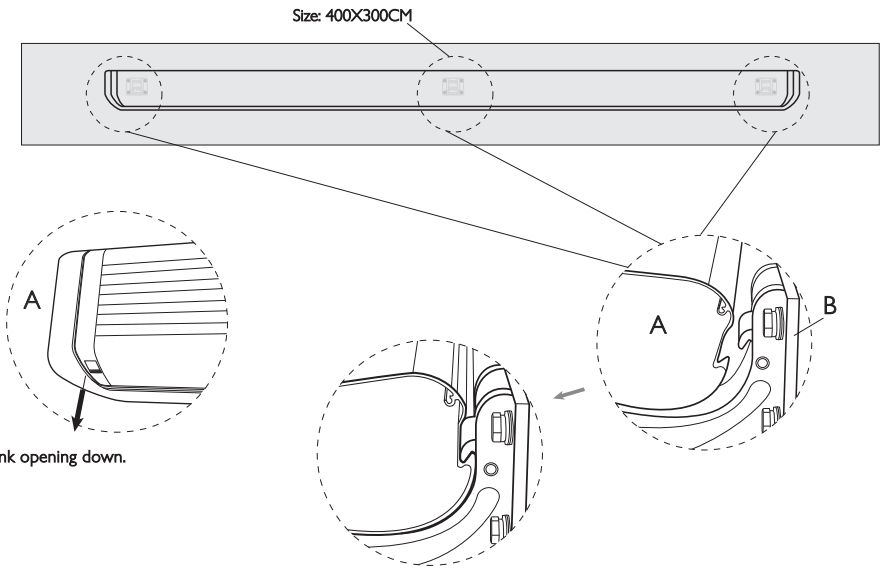
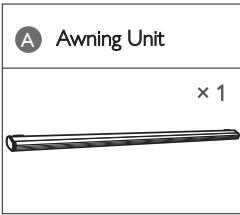


Mounting and usage

Step 3-A :

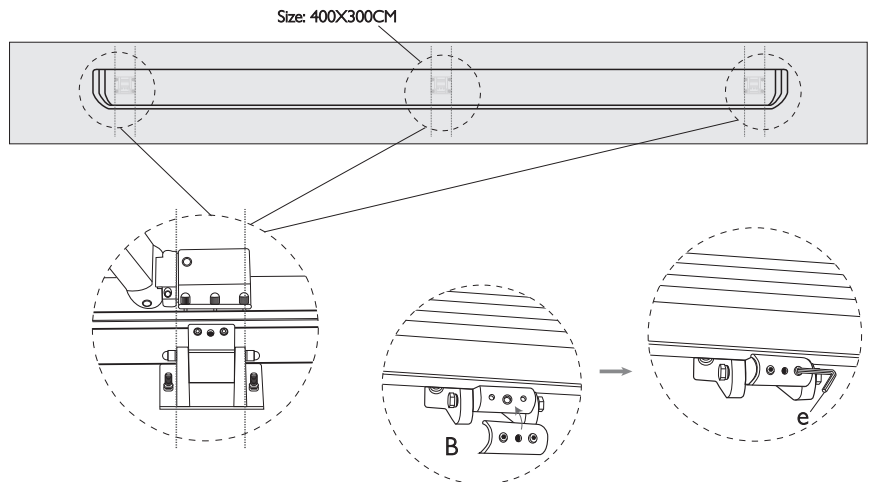
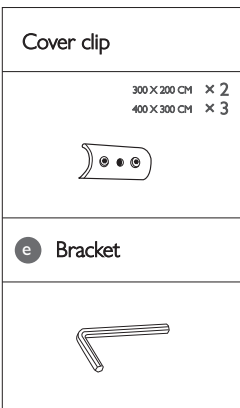
After the brackets are secured to the wall, and the clip removed, hang the awning. We recommend 4 people to lift the awning on to the brackets.

1. Make sure the awning is fastened to clasp on the bracket.
2. Double check that both sides of the canopy are securely fastened.



Step 3-B :

1. Install the cover clip (the piece removed from step 2-D). Pay attention to the correct mounting direction of the clip.



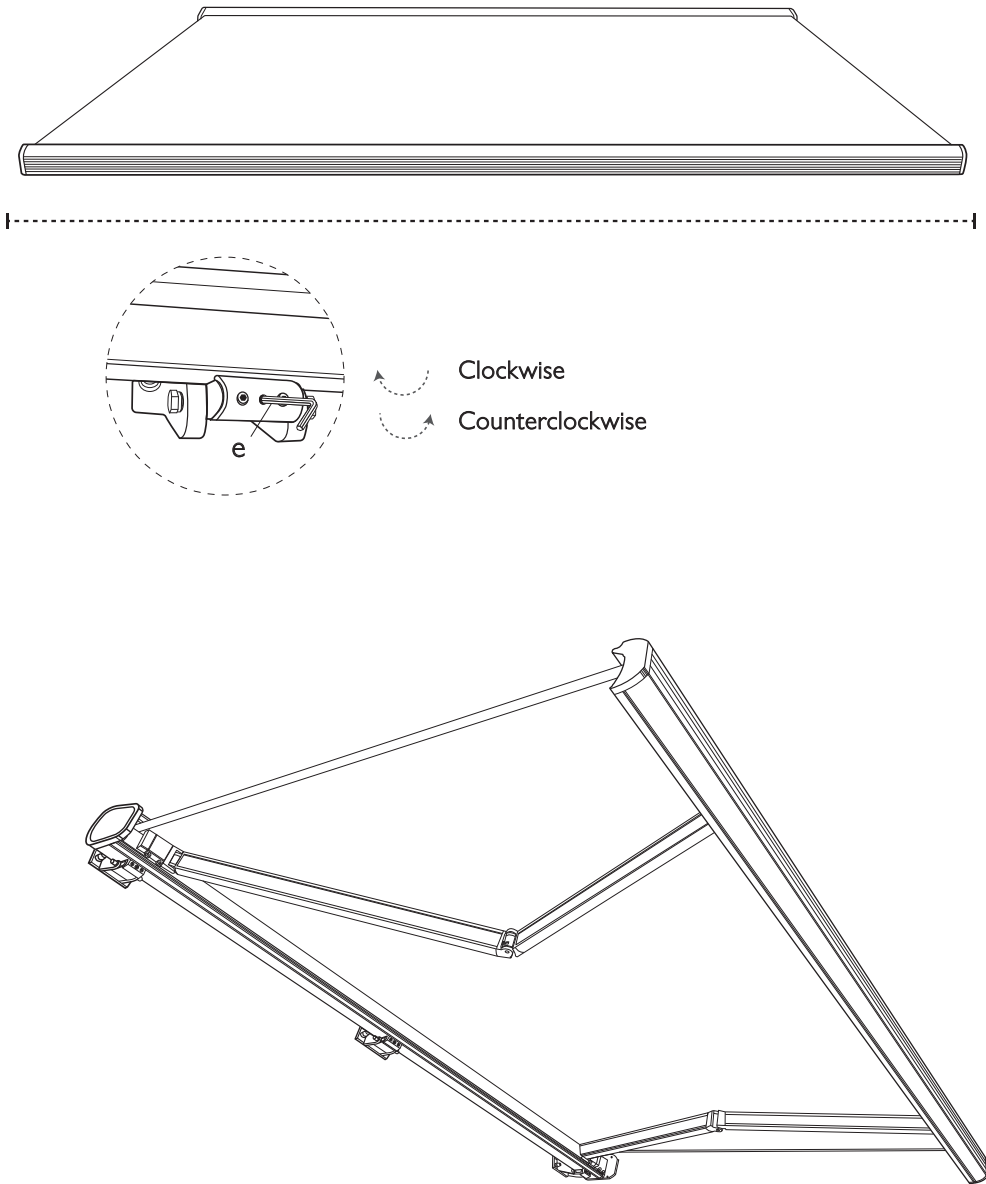
Mounting and usage

Step 3-C :

After the installation is complete, open the canopy and test it.

1. Check whether the canopy is level;
2. Check whether the tilt angle is satisfactory.
3. You can adjust the angle and slope of the awning if you want it more or less angled;
Clockwise adjustment is to reduce the slope of the canopy;
Anticlockwise adjustment increases the slope of the canopy.

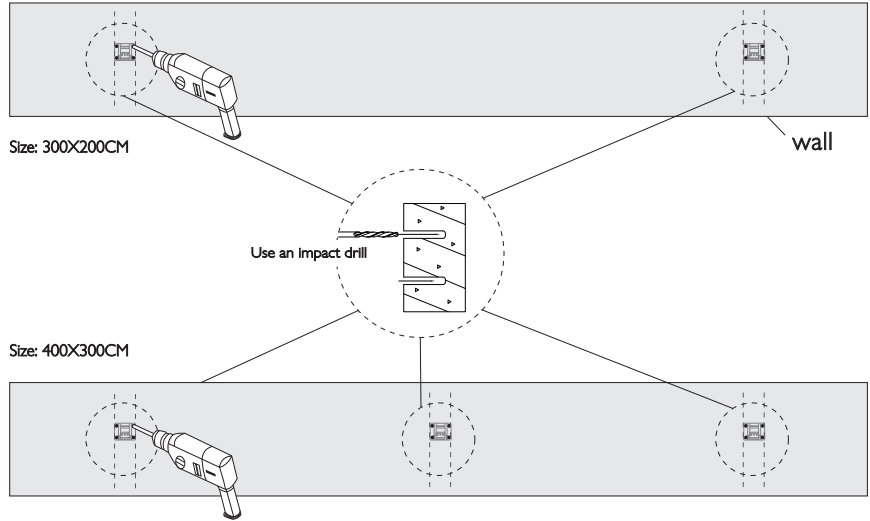
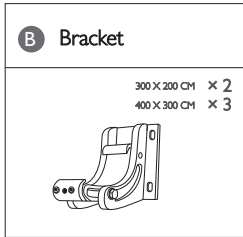
If you lift the awning up slightly it will make the adjustment easier.



Mounting and usage

Step 2-B :

Use an impact drill to make 4 holes per bracket, using the marked positions.



Step 2-C :

1. Drive the expansion bolts in to the wall (part c).
2. Make sure the wall bracket is perfectly level before fixing. Tighten all of the screws.

