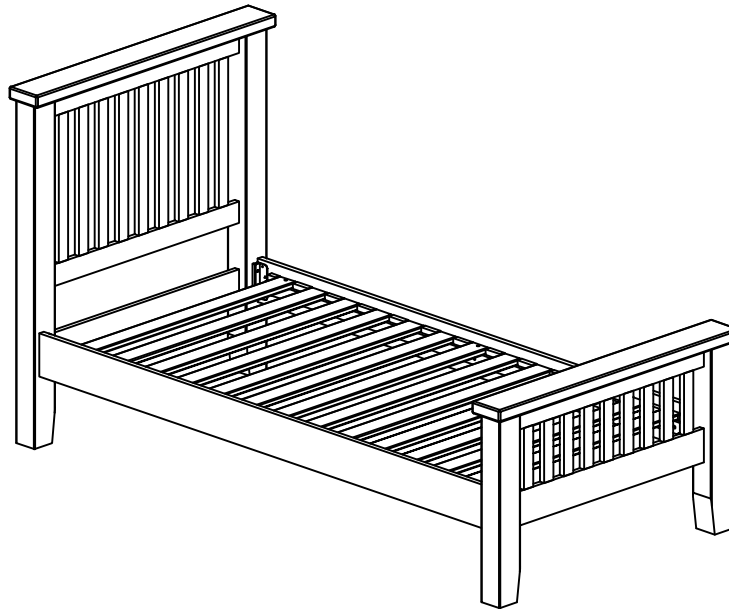


# HARBOUR

LIFESTYLE

## Instruction Manual for 3ft High-End Single Bed Frame






[www.harbourlifestyle.co.uk](http://www.harbourlifestyle.co.uk)

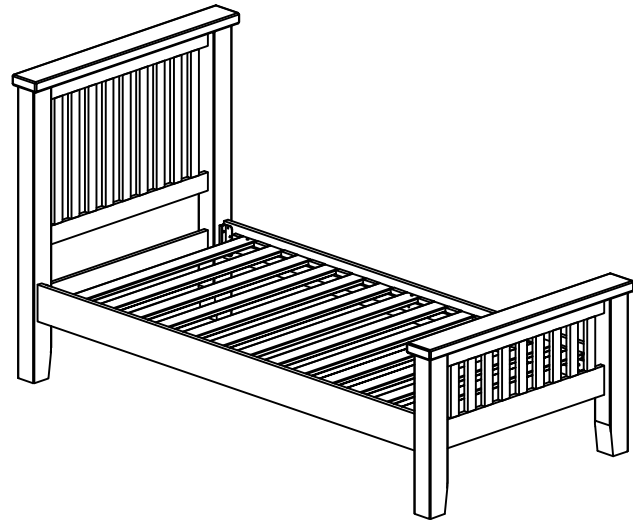
If you have any questions or require additional support, please contact the team at [customerservices@harbourlifestyle.co.uk](mailto:customerservices@harbourlifestyle.co.uk). Alternatively you can contact us via telephone on 0330 808 1744.

# ASSEMBLY INSTRUCTION

## 3FT HIGH-END SINGLE BED FRAME

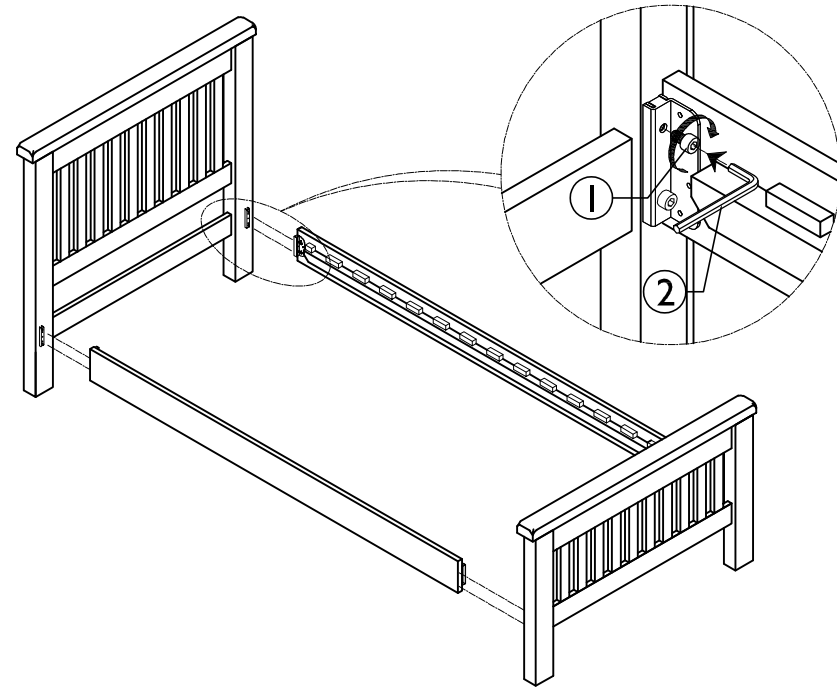
### HARDWARE LIST

No	Description	QTY
1	Bolt M6x10 	8
2	Allen Key - 5 	1
3	Screw M4x30 	6



COMPLETE

1



2

