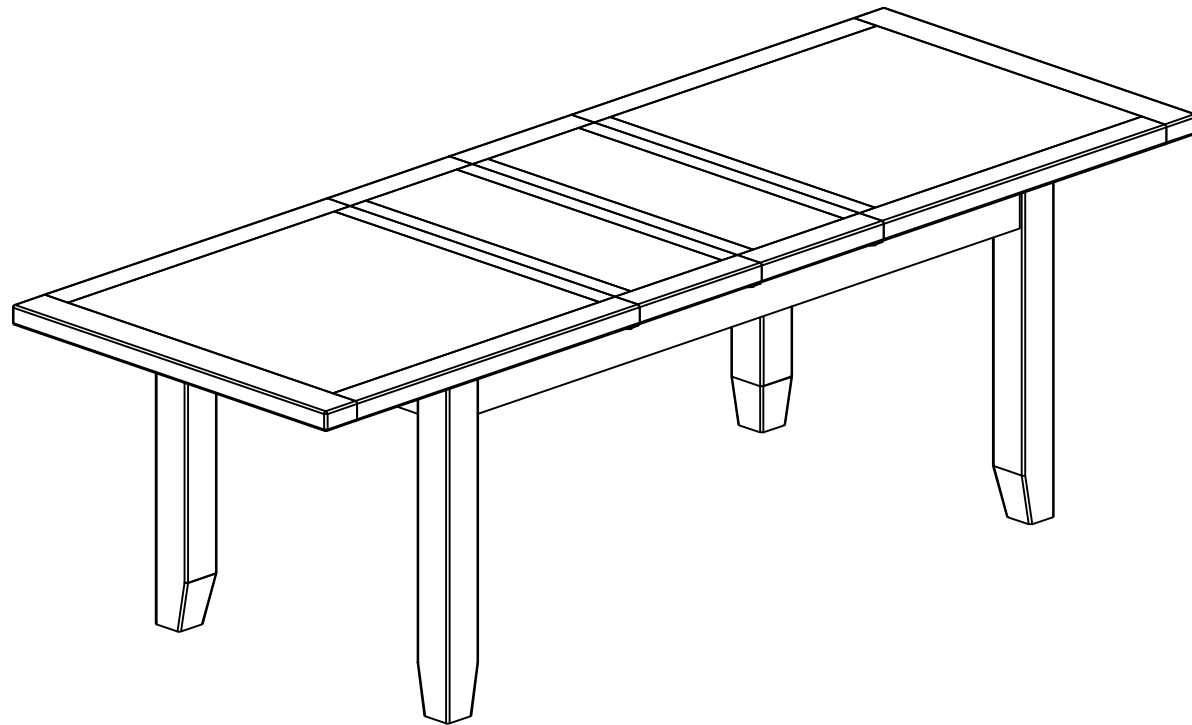


HARBOUR

LIFESTYLE

Instruction Manual for Extending Dining Table 2 Leaves






www.harbourlifestyle.co.uk

If you have any questions or require additional support, please contact the team at customerservices@harbourlifestyle.co.uk. Alternatively you can contact us via telephone on 0330 808 1744.

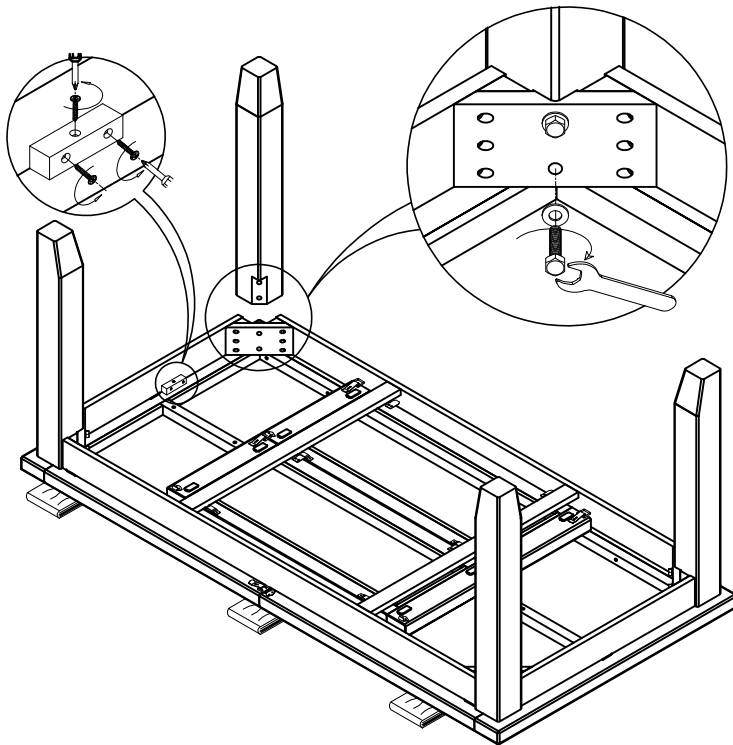
ASSEMBLY INSTRUCTION

EXTENDING DINING TABLE 2 LEAVES

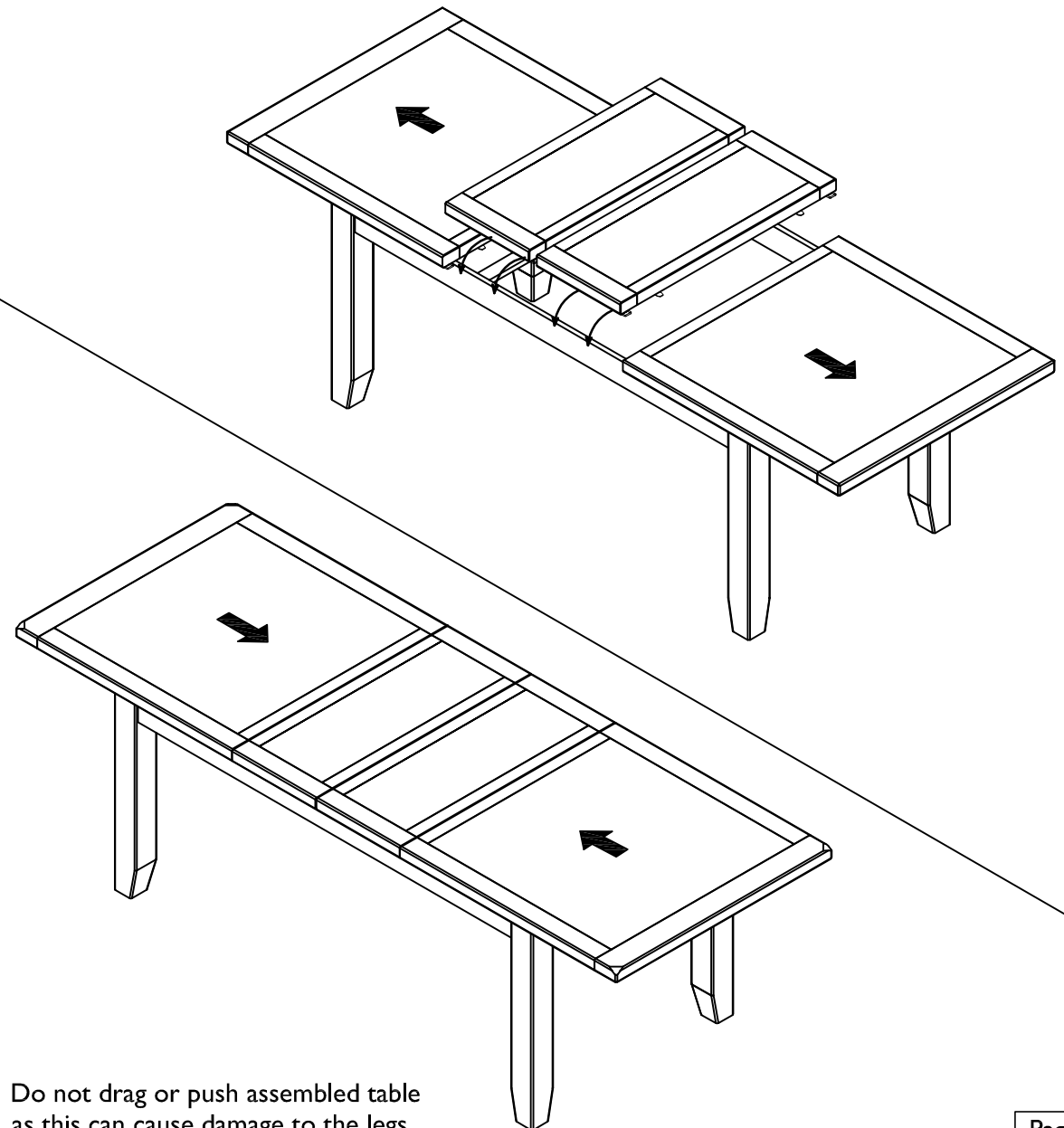
HARDWARE LIST

| No | Description | QTY |
|----|---|-----|
| 1 | Bolt M10x50  | 8 |
| 2 | Flat Washer M10/M23  | 8 |
| 3 | Wrench 17mm  | 1 |

Transit fixing to be unscrewed.
Unscrew middle screw holding
fixing to underside of top at each
end of table.



NOTE: Please check the number on 4 pieces of the table,
all must be the same.



Do not drag or push assembled table
as this can cause damage to the legs