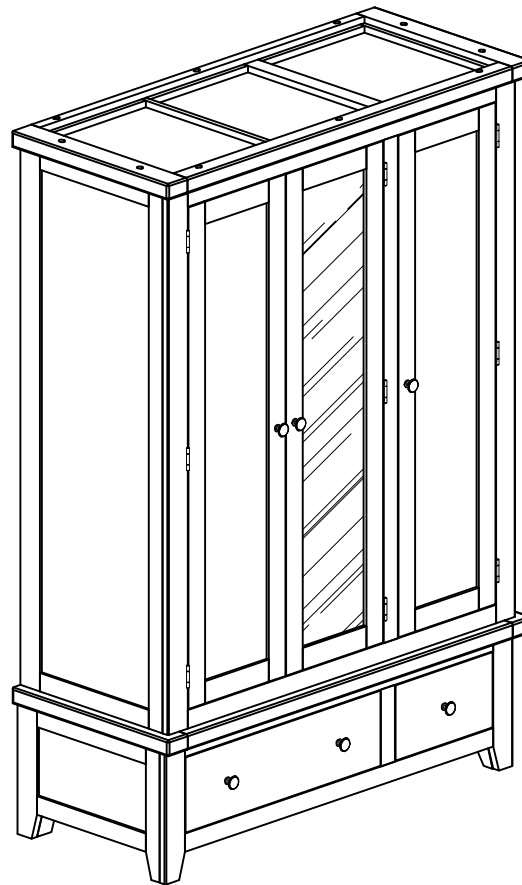


HARBOUR

LIFESTYLE

Instruction Manual for Triple Wardrobe With 2 Drawers









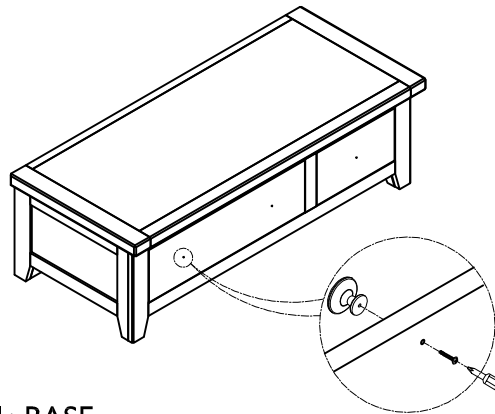
www.harbourlifestyle.co.uk

If you have any questions or require additional support, please contact the team at customerservices@harbourlifestyle.co.uk. Alternatively you can contact us via telephone on 0330 808 1744.

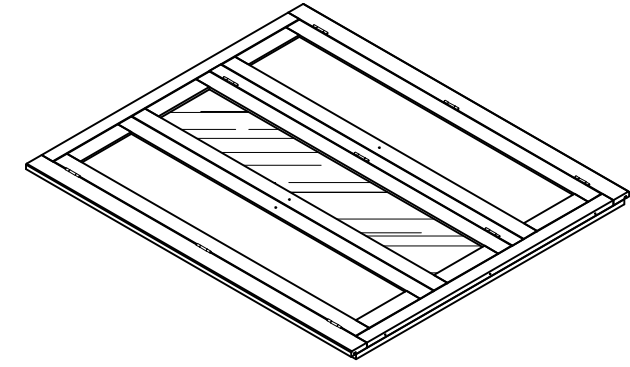
ASSEMBLY INSTRUCTION

TRIPLE WARDROBE WITH 2 DRAWERS

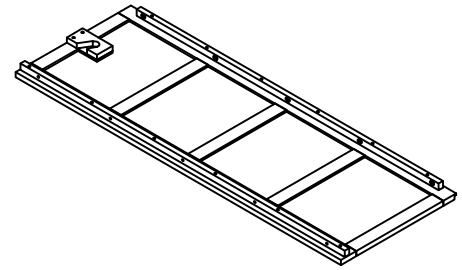
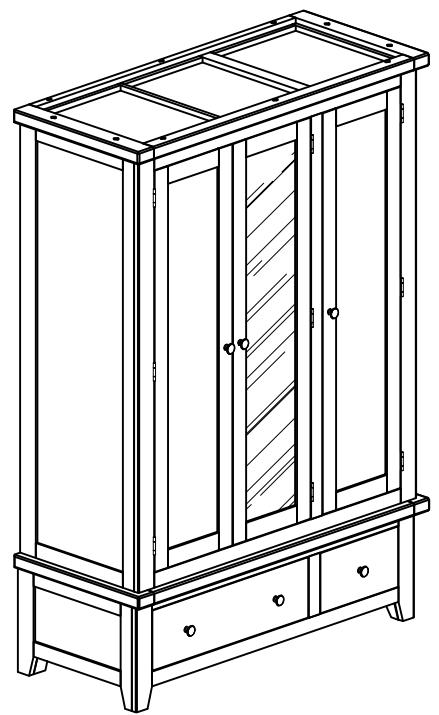
No	LIST OF HARDWARE	Q.TY(pcs)
1	Bolts M6x30 	30
2	Flat Washers 6x14 	30
3	Allen key 4 	1
4	Handle with bolts 	3
5	Screws 3x15 	8
6	Screws 4x40 	3



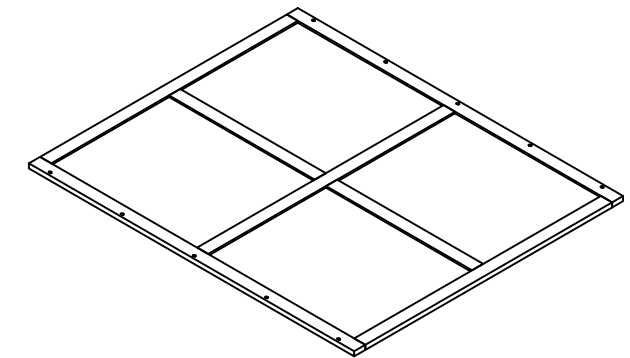
A x I : BASE



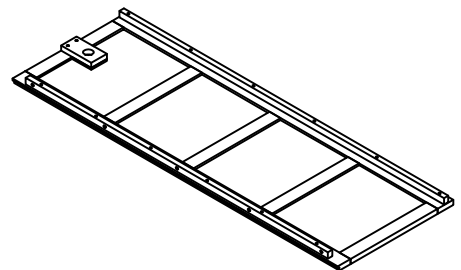
B x I : FRONT FRAME WITH DOOR



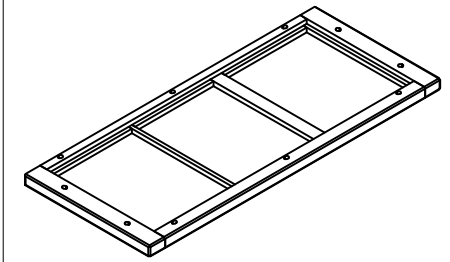
C x I : RIGHT SIDE



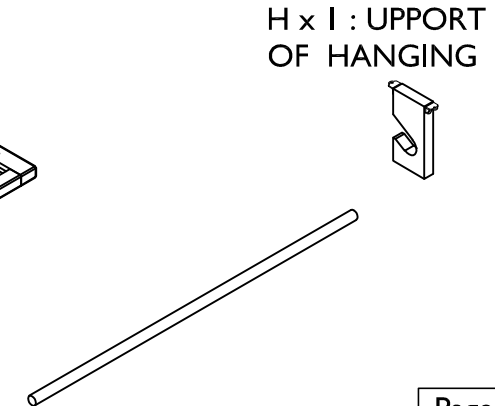
E x I : BACK FRAME



D x I : LEFT SIDE

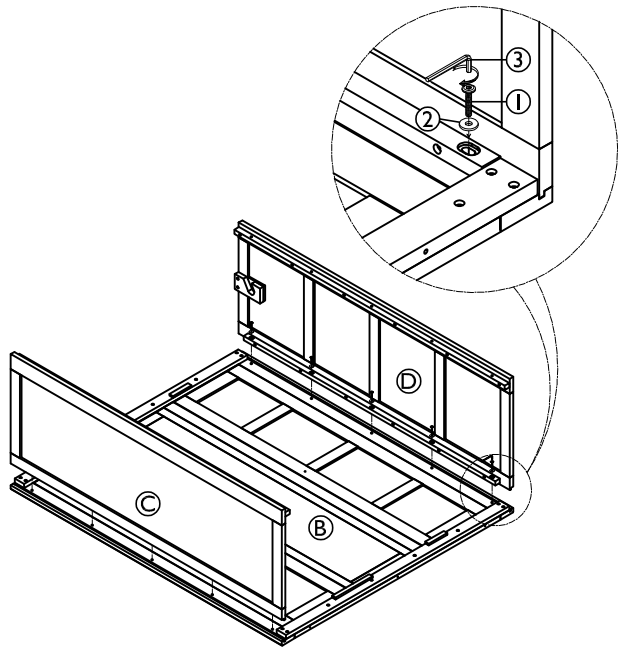


F x I : TOP FRAME

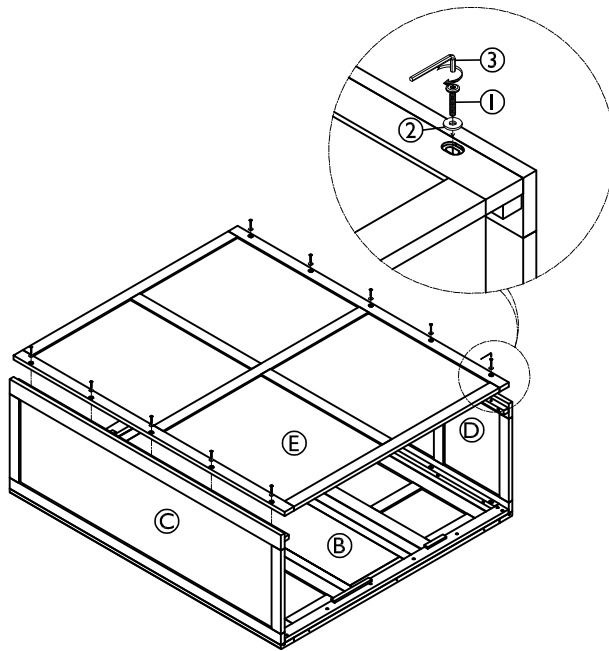


G x I : HANGING RAIL

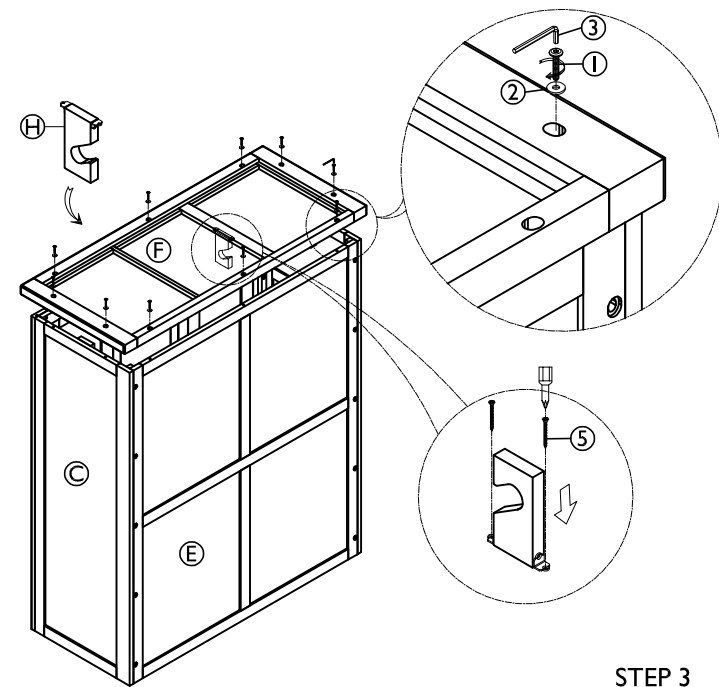
H x I : UPPORT OF HANGING



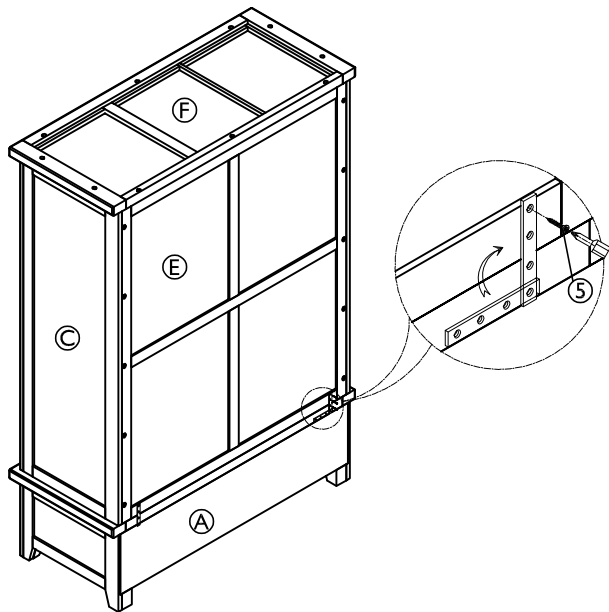
STEP 1



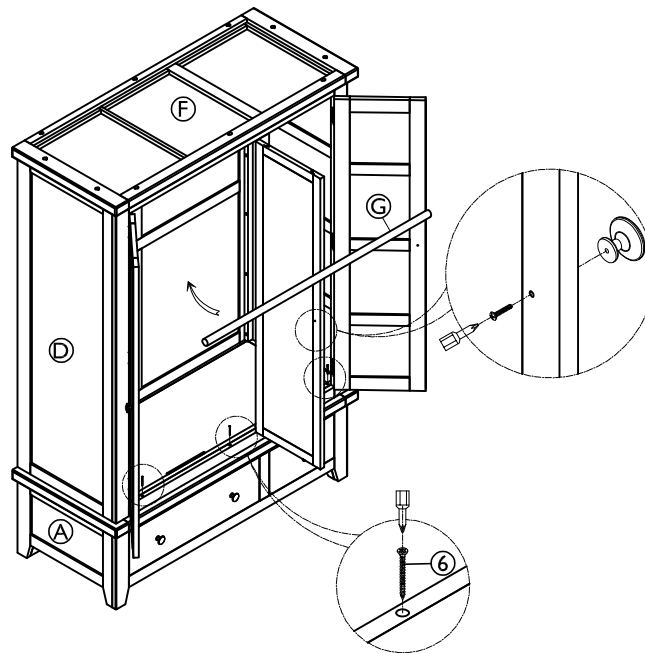
STEP 2



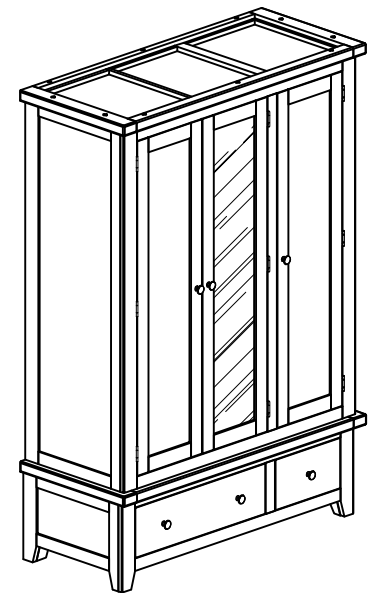
STEP 3



STEP 4



STEP 5



FINAL