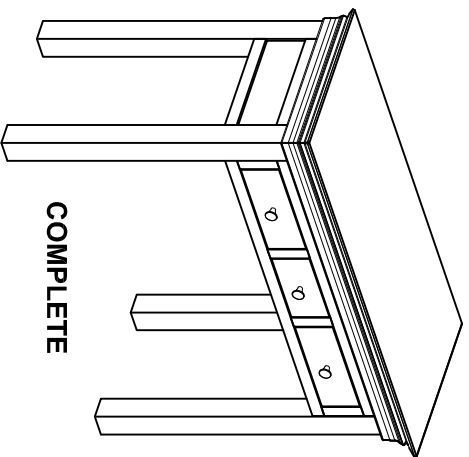
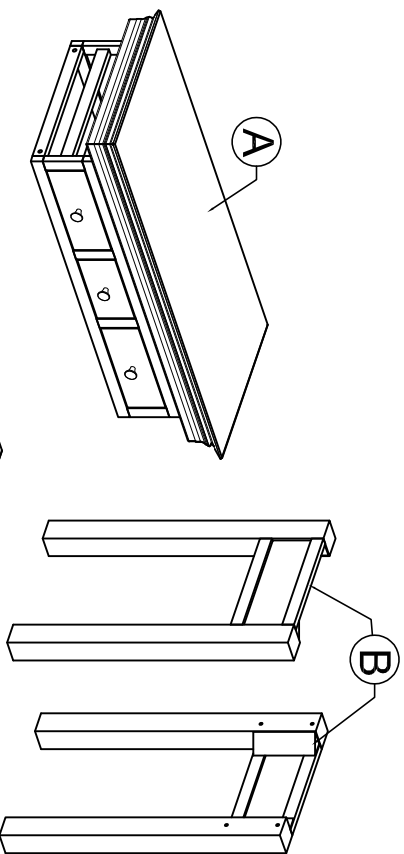


ASSEMBLY INSTRUCTION





CHALBURY CONSOLE DESK

PART LIST

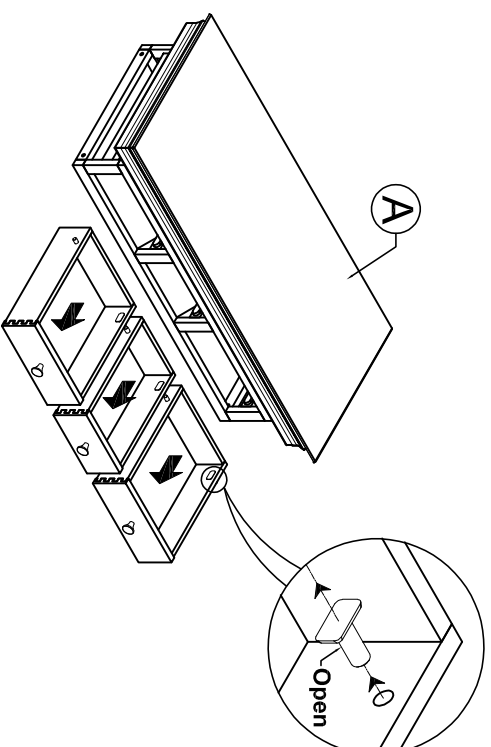
No	Description	QTY	No	Description	QTY
A	CABINET	1	B	LEG FRAME	2



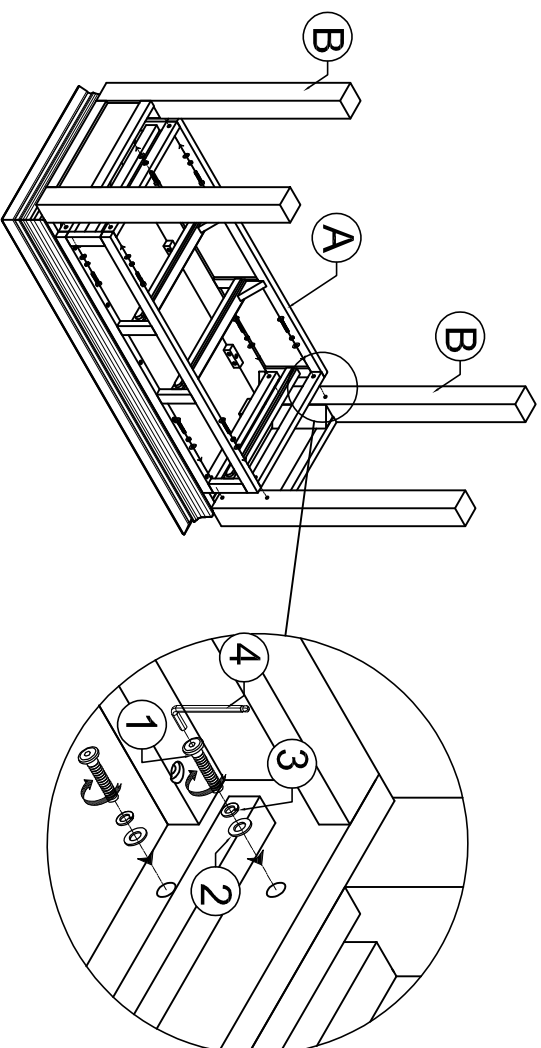
HARDWARE LIST

No	Description	QTY	No	Description	QTY
1	Bolt M8x40 mm 	8	3	Spring Washer M8 	8
2	Flat Washer M8/M19 	8	4	Allen Key - 4 	1

1

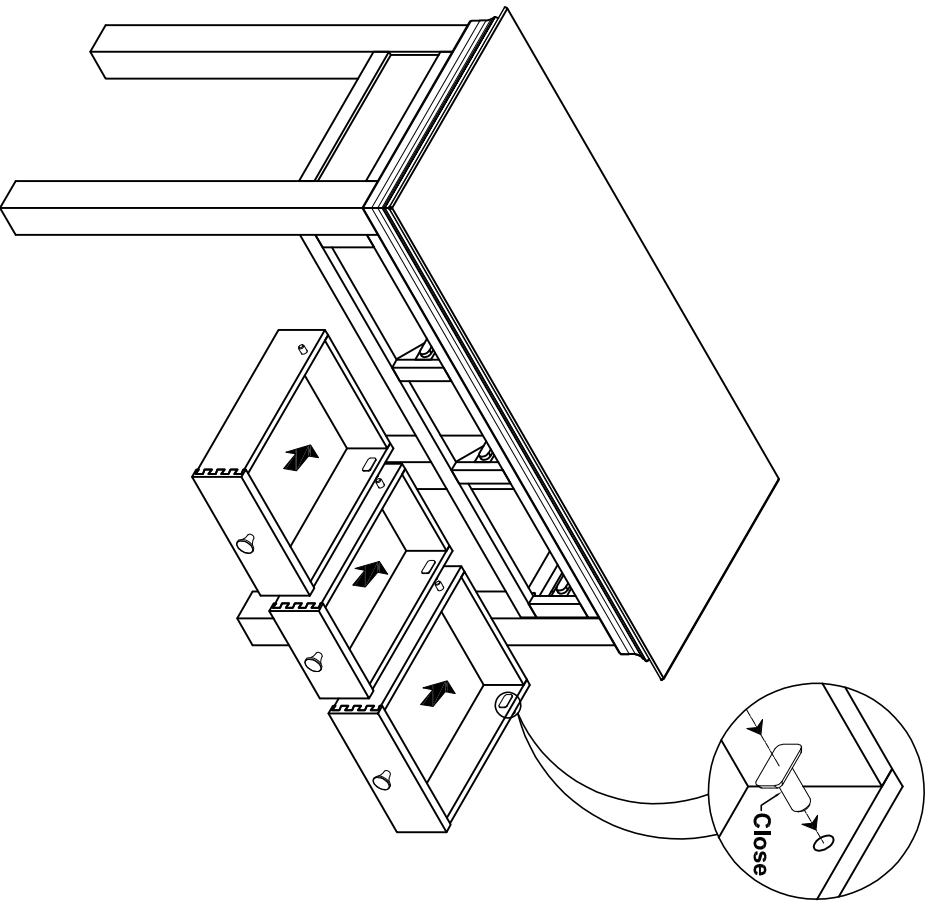


2



ASSEMBLY INSTRUCTION
CHALBURY CONSOLE DESK

3



4

