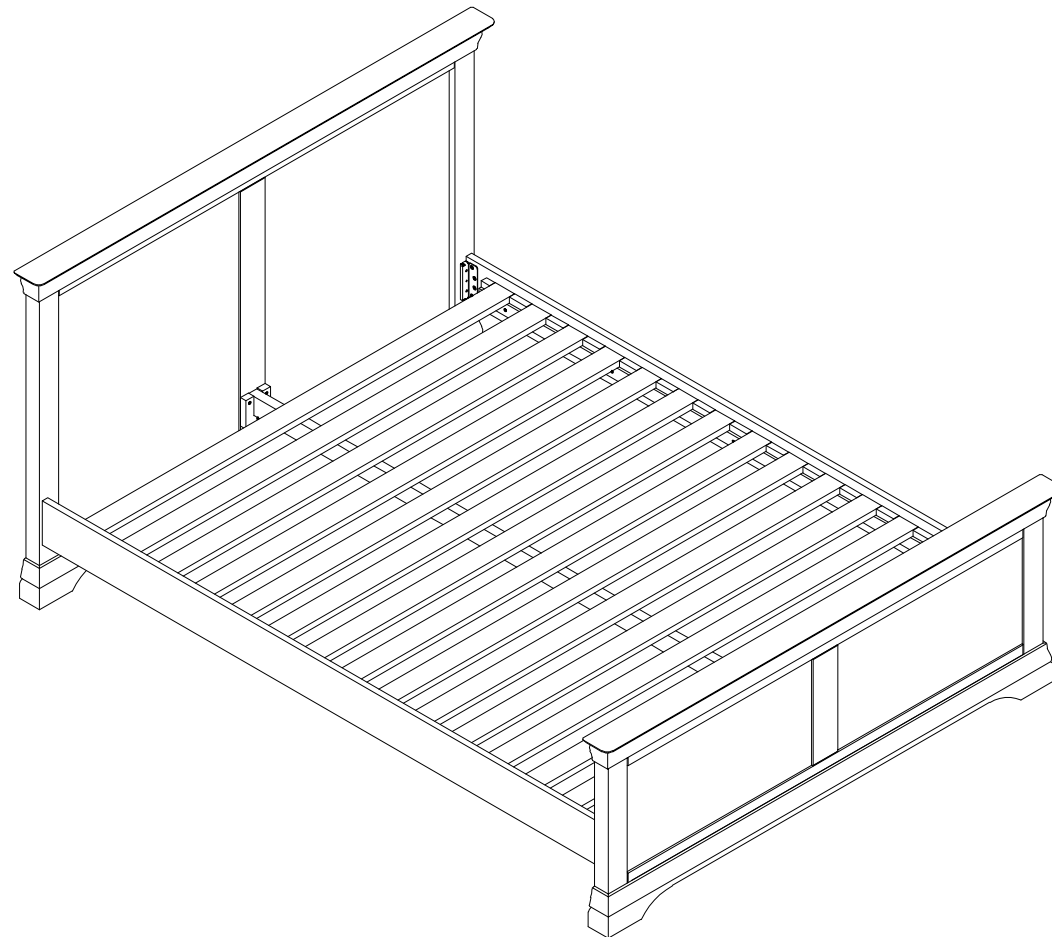


# HARBOUR

LIFESTYLE


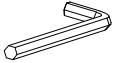

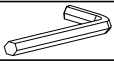

## Instruction Manual for Double Bed



[www.harbourlifestyle.co.uk](http://www.harbourlifestyle.co.uk)

If you have any questions or require additional support, please contact the team at [customerservices@harbourlifestyle.co.uk](mailto:customerservices@harbourlifestyle.co.uk). Alternatively you can contact us via telephone on 0330 808 1744.

# ASSEMBLY INSTRUCTION DOUBLE BED

No	List of Hardware	Q.ty (pcs)
1	Bolts M6x10 	8
2	Allen key 5 	1
3	Small Screws M4x30 	26
4	Allen key 4 	1
5	Bolts M6x40 	2

