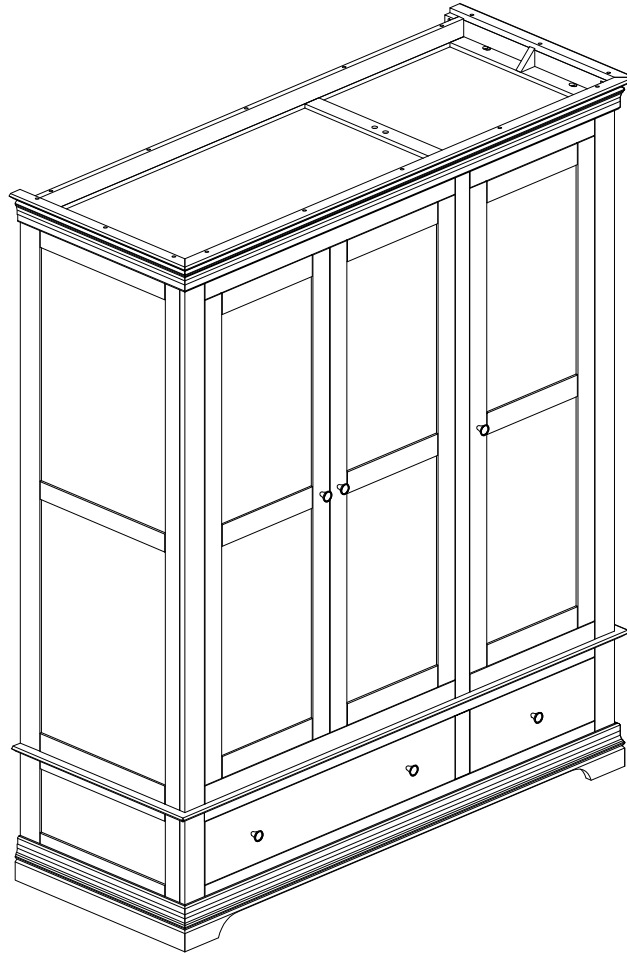


# HARBOUR

LIFESTYLE

## Instruction Manual for Tripple Robe









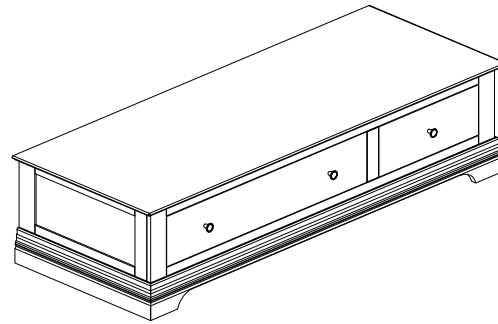
[www.harbourlifestyle.co.uk](http://www.harbourlifestyle.co.uk)

If you have any questions or require additional support, please contact the team at [customerservices@harbourlifestyle.co.uk](mailto:customerservices@harbourlifestyle.co.uk). Alternatively you can contact us via telephone on 0330 808 1744.

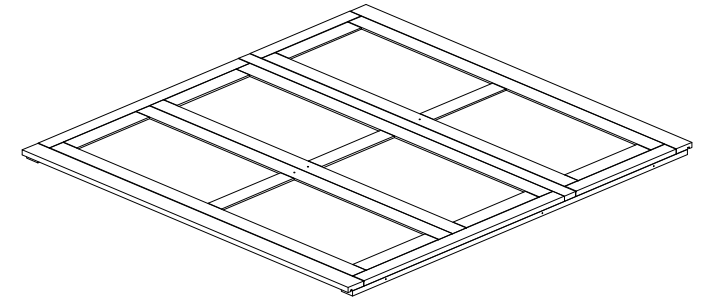
# ASSEMBLY INSTRUCTION

## TRIPPLE ROBE

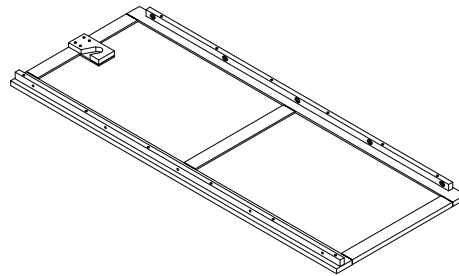
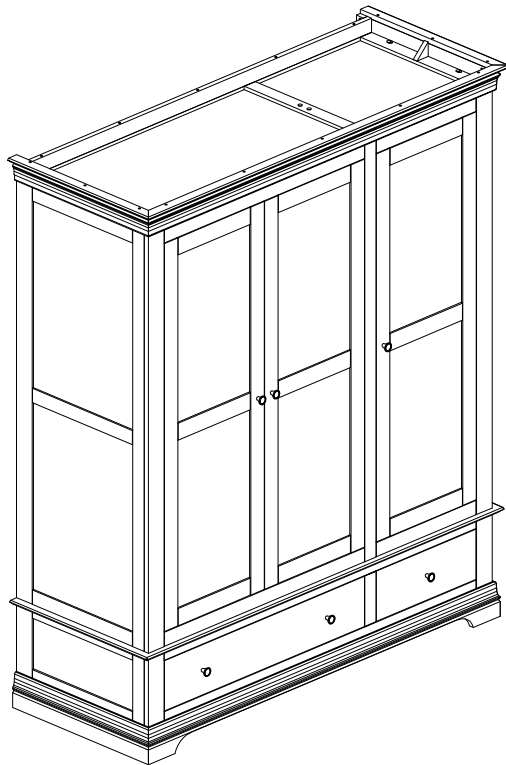
No	LIST OF HARDWARE	Q.TY(pcs)
1	Bolts M6x30 	34
2	Flat Washers 6x14 	34
3	Allen key 4 	1
4	Handle with bolts 	3
5	Screws 3x15 	9
6	Screws 4x40 	3



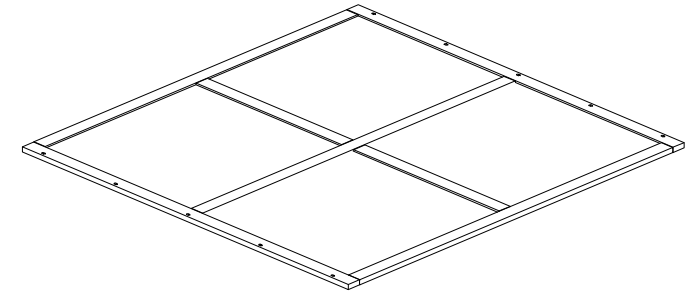
A x I : BASE



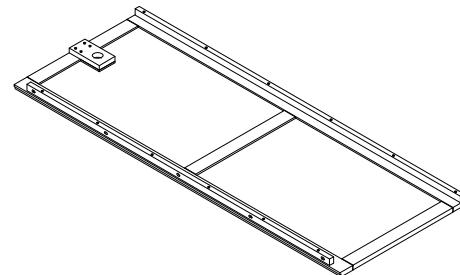
B x I : FRONT FRAME WITH DOOR



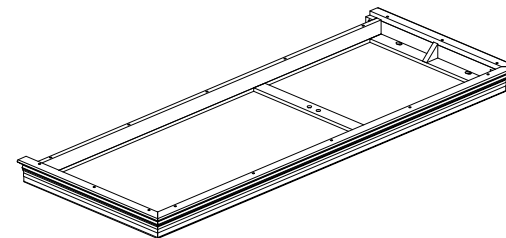
C x I : RIGHT SIDE



E x I : BACK FRAME

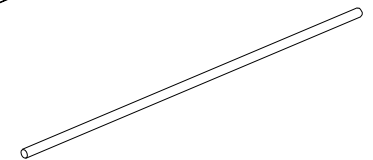
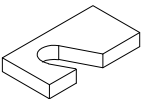


D x I : LEFT SIDE

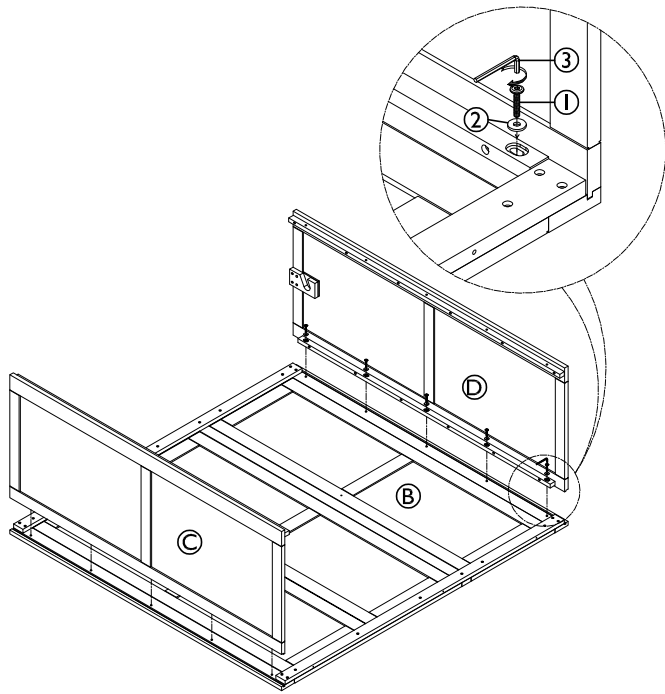


F x I : TOP FRAME

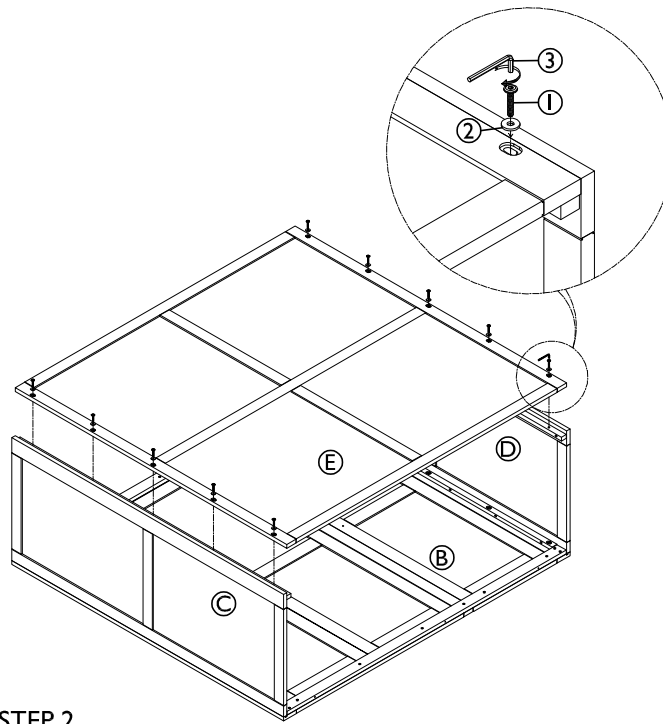
H x I : UPPORT OF HANGING



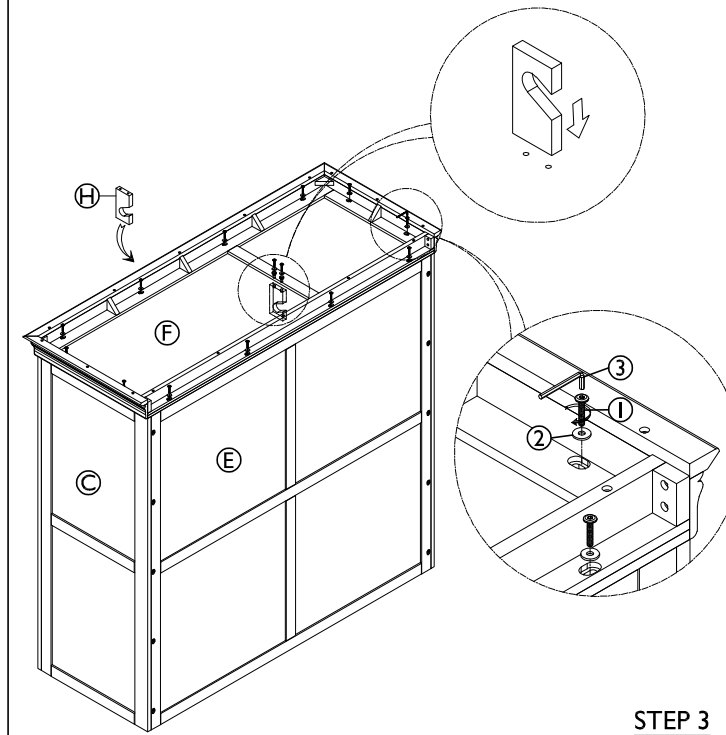
G x I : HANGING RAIL



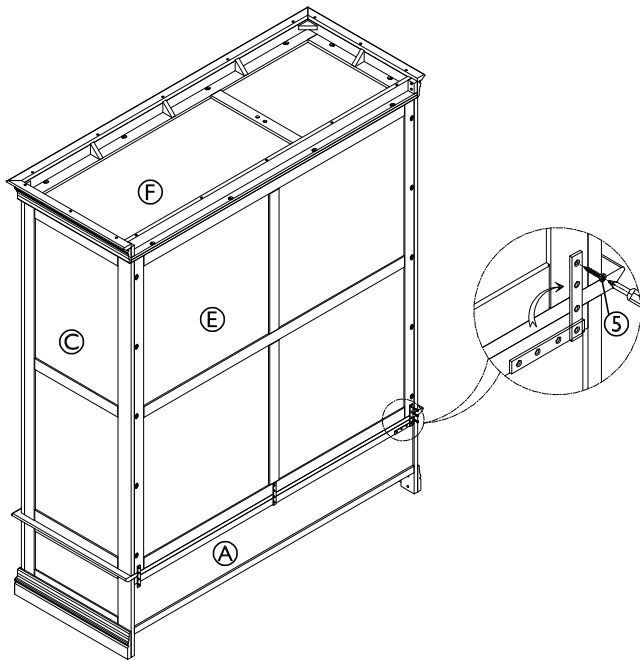
STEP 1



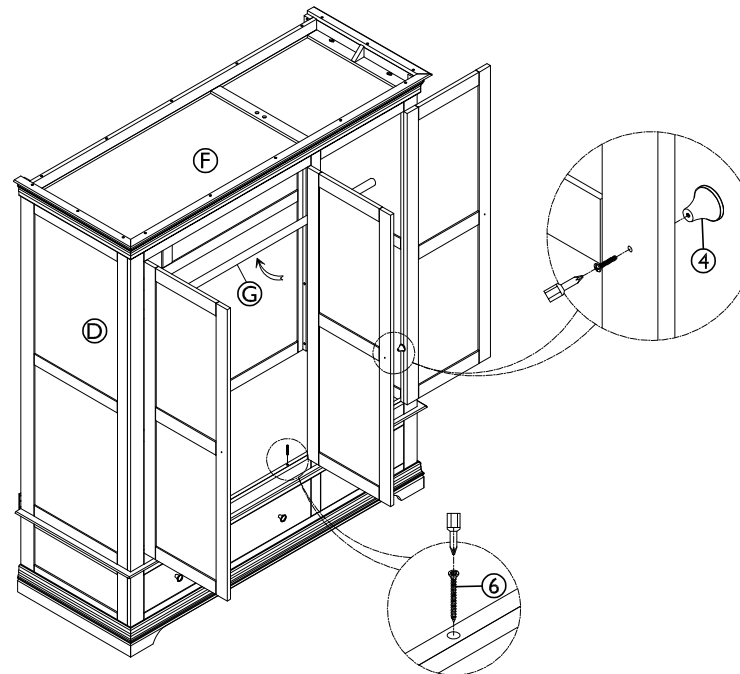
STEP 2



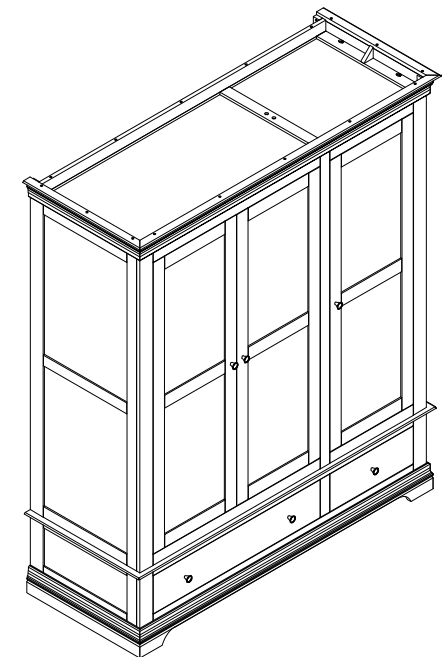
STEP 3



STEP 4



STEP 5



FINAL