

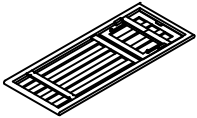
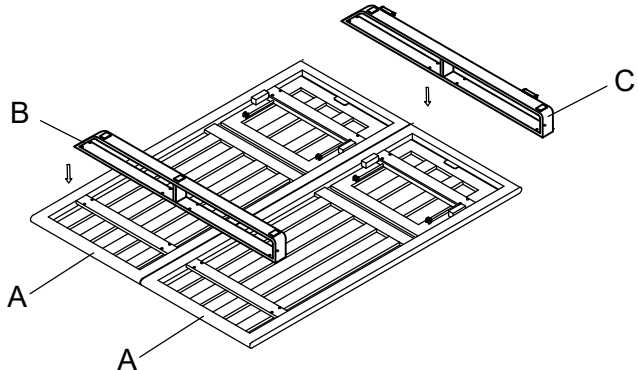
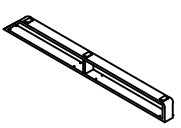
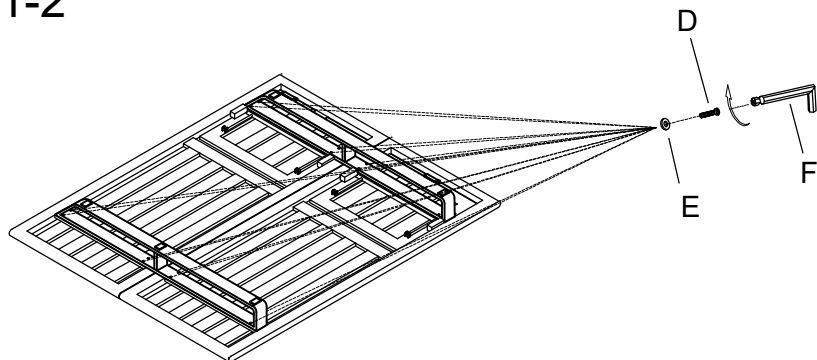
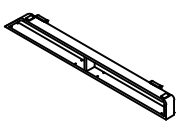
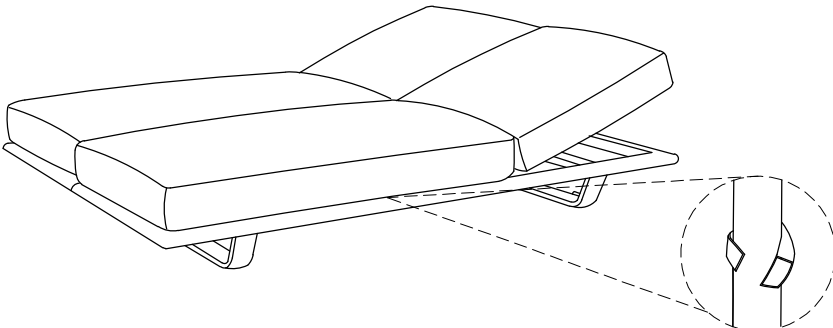
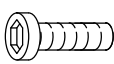


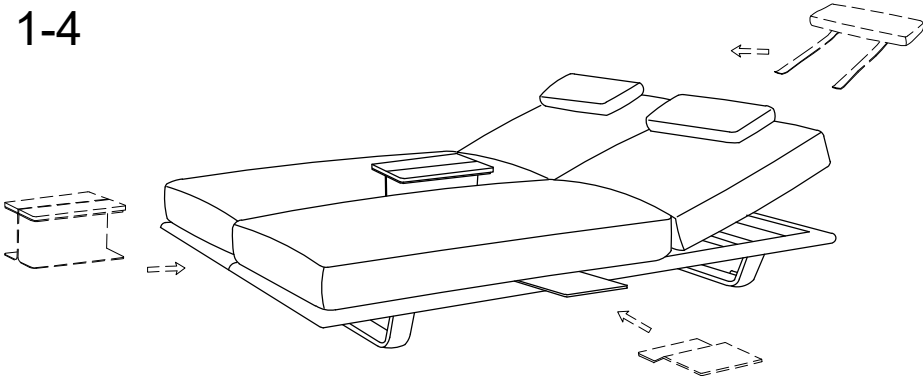
# User Instruction Manual

---

[www.harbourlifestyle.co.uk](http://www.harbourlifestyle.co.uk)

If you have any questions or require additional support, please contact the team at [customerservices@harbourlifestyle.co.uk](mailto:customerservices@harbourlifestyle.co.uk). Alternatively you can contact us via telephone on 0330 808 1744.

*Inspirational, Lifestyle, Defined.*

|   |  |
|---|--|
| <p>A</p>  <p>2PCS</p>                              | <p>1-1</p>                             |
| <p>B</p>  <p>1PC</p>                               | <p>1-2</p>                            |
| <p>C</p>  <p>1PC</p>                               | <p>1-3</p>                           |
| <p>D</p> <p>flat head<br/>M8*30</p>  <p>16PCS</p> | <p>E</p> <p>16* 8*1</p>  <p>16PCS</p> |
| <p>F</p>  <p>1PC</p>                             | <p>1-4</p>                           |