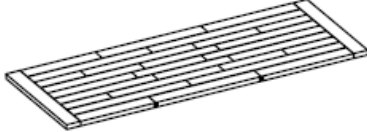
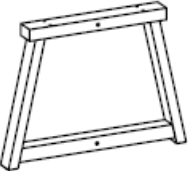
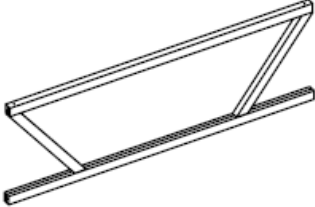











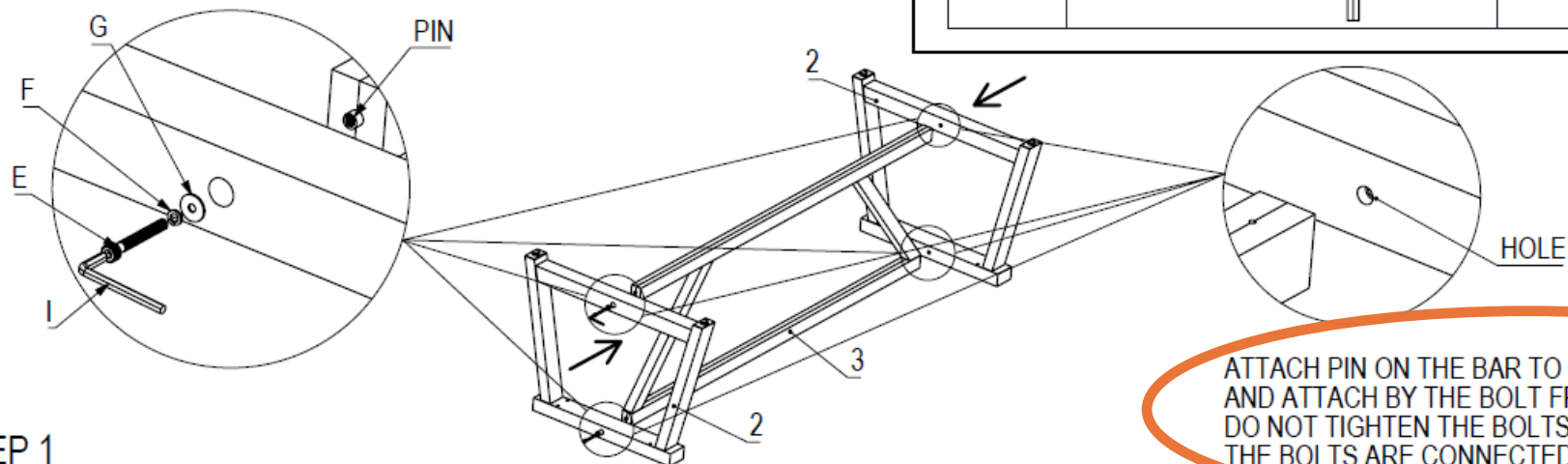
# ASSEMBLY INSTRUCTIONS NOAH DINING TABLE

## PARTS LIST

CODE	PARTS	DESCRIPTION	QTY
1		TOP	1
2		LEGS	2
3		BAR	1

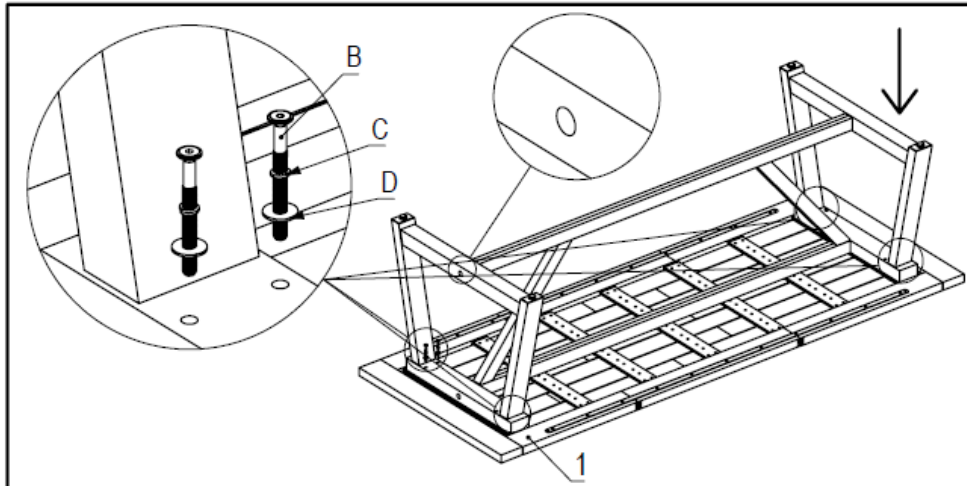
## HARDWARE LIST

CODE	HARDWARE	DESCRIPTION	QTY
A		HEX KEY L4	1
B		JCBC BOLT M6 X 80MM SS	8
C		SPRING WASHER M6 X Ø11MM SS	8
D		FLAT WASHER M6 X Ø16MM SS	8
E		BOLT M8 X 60MM SS	4
F		SPRING WASHER M8 X Ø14MM SS	4
G		FLAT WASHER M8 X Ø18MM SS	4
H		WOODEN PLUG	4
I		HEX KEY L6	1



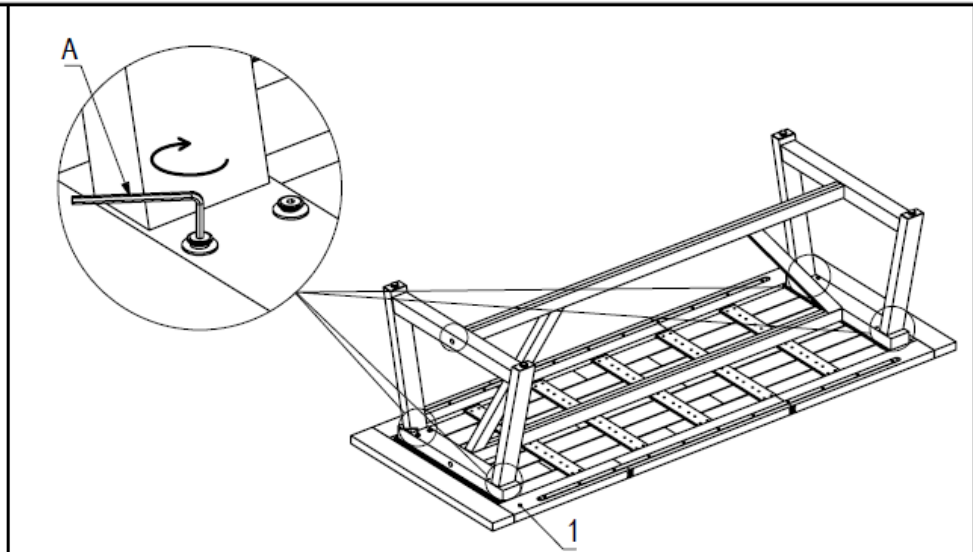
STEP 1

ATTACH PIN ON THE BAR TO HOLE ON THE LEGS AND ATTACH BY THE BOLT FROM LEFT AND RIGHT SIDE DO NOT TIGHTEN THE BOLTS YET UNTIL ALL THE BOLTS ARE CONNECTED.



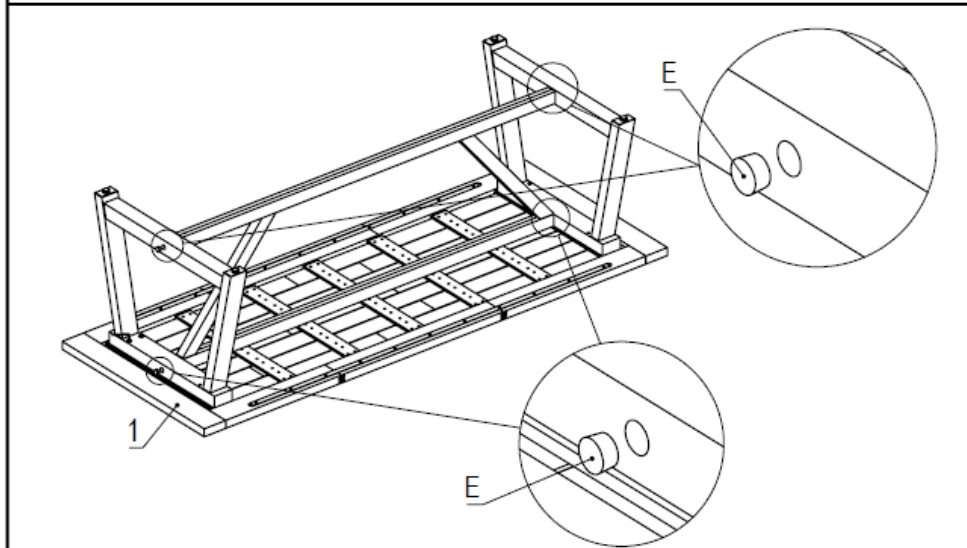
STEP 2

FIX THE LEG ON THE TABLE  
AND ATTACH BAR TO THE MIDDLE SUPPORT,  
DO NOT TIGHTEN THE BOLTS  
YET UNTIL ALL THE BOLTS ARE CONNECTED.



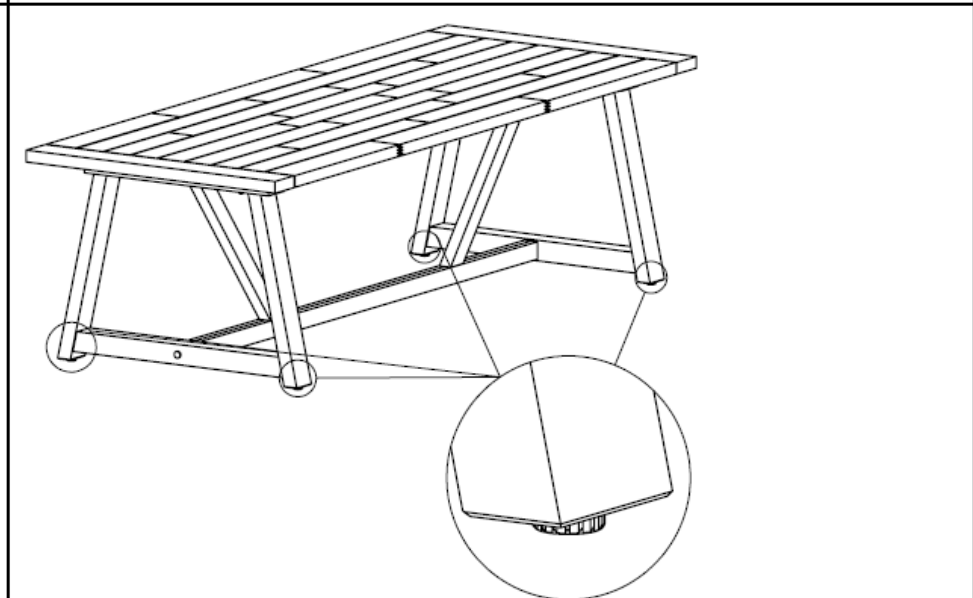
STEP 3

TIGHTEN ALL THE BOLTS  
AFTER ALL SET ON THE BOLTS HOLES.



STEP 4

ATTACH THE WOODEN PLUG  
TO THE HOLE IN LEFT AND RIGHT SIDE.



FINISH

SET THE ADJUSTER LEGS TO MAKE IT STEADY